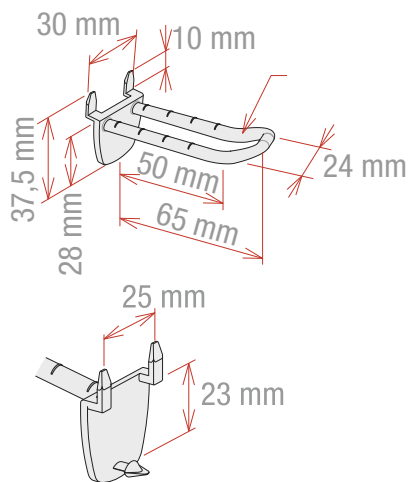


Data sheet

**PLASTIC PRONG QUICK STAB DISPLAY HOOK - WHITE L.50 MM**



Display hook with 3 back rear tips that allow automatic insertion without previous die cut.

- Fast stab prong hook for euro holes (eurohook)
- Suitable for plastic swing price tags
- In sturdy glass fibre reinforced plastic (recyclable)
- Center to center: 25 mm
- Standard colours: black and white



**NB:** Other colours on request



**Recyclable product**

Code	Useful length	Colour
314050WH	50 mm	White

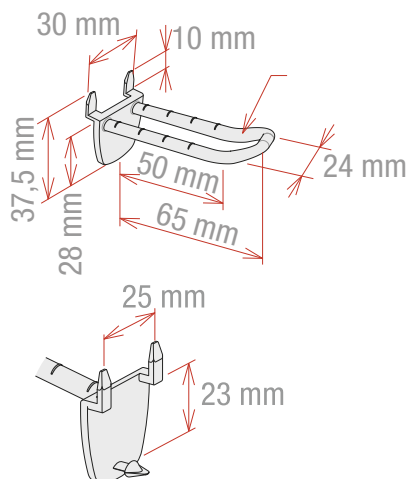
**Synco S.r.l.**

21046 GURONE DI MALNATE (VA) - Via G. Pastore, 30  
Tel. 0332/420.711 (10 linee ric. Autom.) Fax 0332/425.247  
e-mail: pop@syncospa.com

Codice Fiscale N. 03045040379  
Partita IVA N. 01207730126  
C.C.I.A.A. Varese N. 163413 R.E.A.  
Reg.Imp. Di Varese N. 03045040379  
Numero Mecc. VA010424

Data sheet

**PLASTIC DOUBLE PRONG QUICK STAB DISPLAY HOOK - BLACK L.50 MM**



Display hook with 3 back rear tips that allow automatic insertion without previous die cut.

- Fast stab prong hook for euro holes (eurohook)
- Suitable for plastic swing price tags
- In sturdy glass fibre reinforced plastic (recyclable)
- Center to center: 25 mm
- Standard colours: black and white



**NB:** Other colours on request



**Recyclable product**

Code	Useful length	Colour
314050BK	50 mm	Black

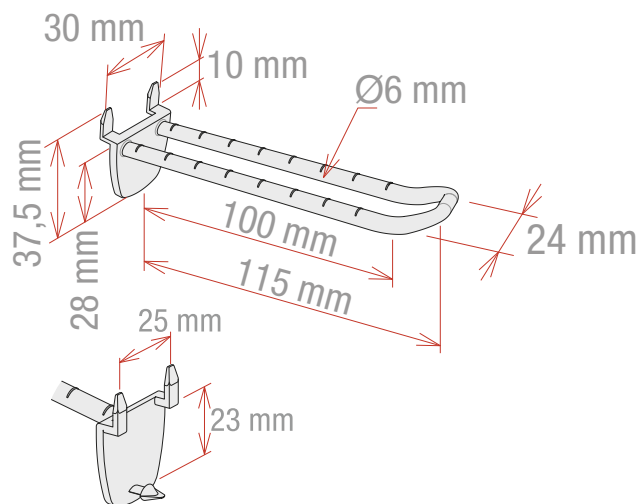
**Synco S.r.l.**

21046 GURONE DI MALNATE (VA) - Via G. Pastore, 30  
Tel. 0332/420.711 (10 linee ric. Autom.) Fax 0332/425.247  
e-mail: pop@syncospa.com

Codice Fiscale N. 03045040379  
Partita IVA N. 01207730126  
C.C.I.A.A. Varese N. 163413 R.E.A.  
Reg.Imp. Di Varese N. 03045040379  
Numero Mecc. VA010424

Data sheet

**PLASTIC DOUBLE PRONG QUICK STAB DISPLAY HOOK - WHITE L.100 MM**



Display hook with 3 back rear tips that allow automatic insertion without previous die cut.

- Fast stab prong hook for euro holes (eurohook)
- Suitable for plastic swing price tags
- In sturdy glass fibre reinforced plastic (recyclable)
- Center to center: 25 mm
- Standard colours: black and white



**NB:** Other colours on request



**Recyclable product**

Code	Useful length	Colour
314100WH	100 mm	White

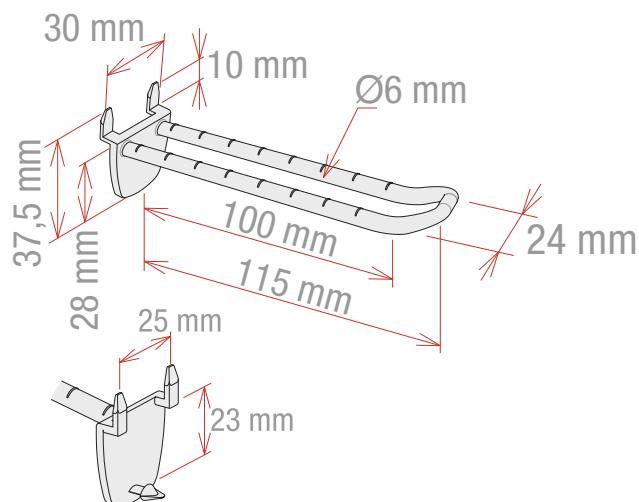
Synco S.r.l.

21046 GURONE DI MALNATE (VA) - Via G. Pastore, 30  
Tel. 0332/420.711 (10 linee ric. Autom.) Fax 0332/425.247  
e-mail: pop@syncospa.com

Codice Fiscale N. 03045040379  
Partita IVA N. 01207730126  
C.C.I.A.A. Varese N. 163413 R.E.A.  
Reg.Imp. Di Varese N. 03045040379  
Numero Mecc. VA010424

Data sheet

**PLASTIC DOUBLE PRONG QUICK STAB DISPLAY HOOK - BLACK L.100 MM**



Display hook with 3 back rear tips that allow automatic insertion without previous die cut.

- Fast stab prong hook for euro holes (eurohook)
- Suitable for plastic swing price tags
- In sturdy glass fibre reinforced plastic (recyclable)
- Center to center: 25 mm
- Standard colours: black and white



**NB:** Other colours on request



**Recyclable product**

Code	Useful length	Colour
314100BK	100 mm	Black

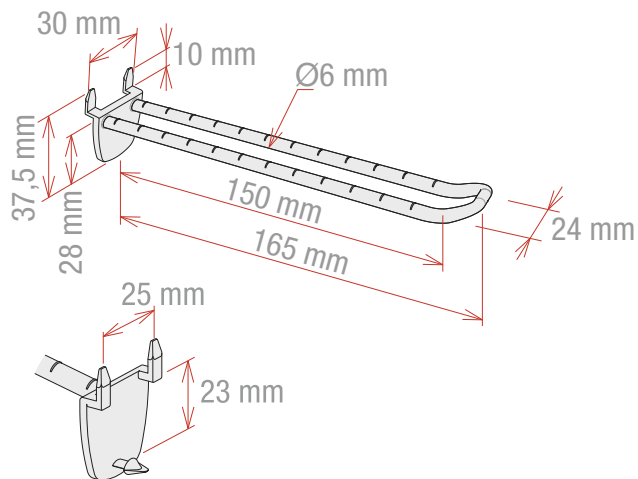
**Synco S.r.l.**

21046 GURONE DI MALNATE (VA) - Via G. Pastore, 30  
Tel. 0332/420.711 (10 linee ric. Autom.) Fax 0332/425.247  
e-mail: pop@syncospa.com

Codice Fiscale N. 03045040379  
Partita IVA N. 01207730126  
C.C.I.A.A. Varese N. 163413 R.E.A.  
Reg.Imp. Di Varese N. 03045040379  
Numero Mecc. VA010424

Data sheet

**PLASTIC DOUBLE PRONG QUICK STAB DISPLAY HOOK - WHITE L.150 MM**



Display hook with 3 back rear tips that allow automatic insertion without previous die cut.

- Fast stab prong hook for euro holes (eurohook)
- Suitable for plastic swing price tags
- In sturdy glass fibre reinforced plastic (recyclable)
- Center to center: 25 mm
- Standard colours: black and white



**NB:** Other colours on request



**Recyclable product**

Code	Useful length	Colour
314150WH	150 mm	White

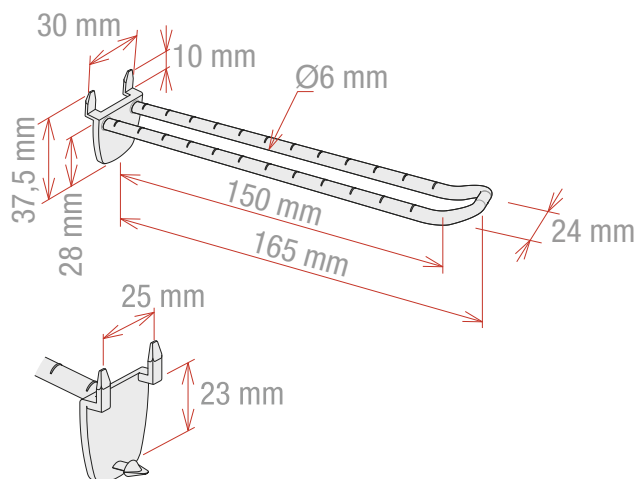
**Synco S.r.l.**

21046 GURONE DI MALNATE (VA) - Via G. Pastore, 30  
Tel. 0332/420.711 (10 linee ric. Autom.) Fax 0332/425.247  
e-mail: pop@syncospa.com

Codice Fiscale N. 03045040379  
Partita IVA N. 01207730126  
C.C.I.A.A. Varese N. 163413 R.E.A.  
Reg.Imp. Di Varese N. 03045040379  
Numero Mecc. VA010424

Data sheet

**PLASTIC DOUBLE PRONG QUICK STAB DISPLAY HOOK - BLACK L.150 MM**



Display hook with 3 back rear tips that allow automatic insertion without previous die cut.

- Fast stab prong hook for euro holes (eurohook)
- Suitable for plastic swing price tags
- In sturdy glass fibre reinforced plastic (recyclable)
- Center to center: 25 mm
- Standard colours: black and white



**NB:** Other colours on request



**Recyclable product**

Code	Useful length	Colour
314150K	150 mm	Black

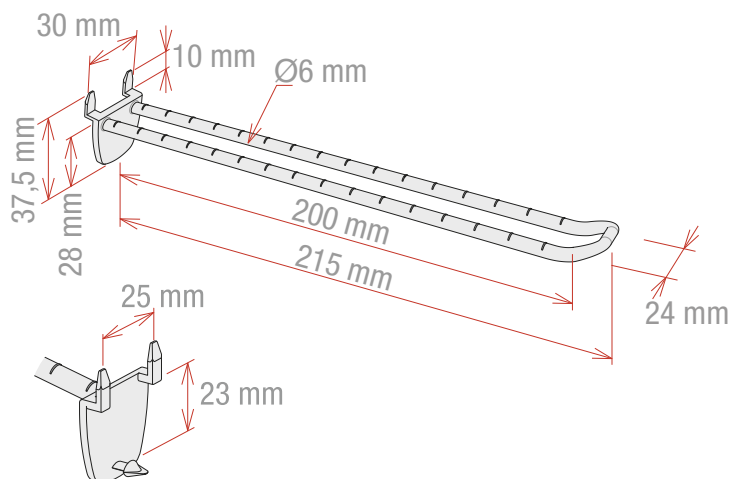
**Synco S.r.l.**

21046 GURONE DI MALNATE (VA) - Via G. Pastore, 30  
Tel. 0332/420.711 (10 linee ric. Autom.) Fax 0332/425.247  
e-mail: pop@syncospa.com

Codice Fiscale N. 03045040379  
Partita IVA N. 01207730126  
C.C.I.A.A. Varese N. 163413 R.E.A.  
Reg.Imp. Di Varese N. 03045040379  
Numero Mecc. VA010424

Data sheet

**PLASTIC DOUBLE PRONG QUICK STAB DISPLAY HOOK - WHITE L.200 MM**



Display hook with 3 back rear tips that allow automatic insertion without previous die cut.

- Fast stab prong hook for euro holes (eurohook)
- Suitable for plastic swing price tags
- In sturdy glass fibre reinforced plastic (recyclable)
- Center to center: 25 mm
- Standard colours: black and white



**NB:** Other colours on request



**Recyclable product**

Code	Useful length	Colour
314200WH	200 mm	White

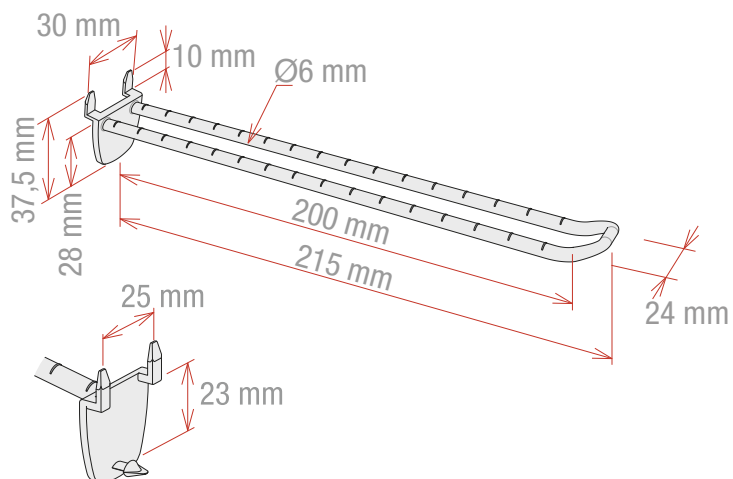
**Synco S.r.l.**

21046 GURONE DI MALNATE (VA) - Via G. Pastore, 30  
Tel. 0332/420.711 (10 linee ric. Autom.) Fax 0332/425.247  
e-mail: pop@syncospa.com

Codice Fiscale N. 03045040379  
Partita IVA N. 01207730126  
C.C.I.A.A. Varese N. 163413 R.E.A.  
Reg.Imp. Di Varese N. 03045040379  
Numero Mecc. VA010424

Data sheet

**PLASTIC DOUBLE PRONG QUICK STAB DISPLAY HOOK - BLACK L.200 MM**



Display hook with 3 back rear tips that allow automatic insertion without previous die cut.

- Fast stab prong hook for euro holes (eurohook)
- Suitable for plastic swing price tags
- In sturdy glass fibre reinforced plastic (recyclable)
- Center to center: 25 mm
- Standard colours: black and white



**NB:** Other colours on request



**Recyclable product**

Code	Useful length	Colour
314200BK	200 mm	Black

**Synco S.r.l.**

21046 GURONE DI MALNATE (VA) - Via G. Pastore, 30  
Tel. 0332/420.711 (10 linee ric. Autom.) Fax 0332/425.247  
e-mail: pop@syncospa.com

Codice Fiscale N. 03045040379  
Partita IVA N. 01207730126  
C.C.I.A.A. Varese N. 163413 R.E.A.  
Reg.Imp. Di Varese N. 03045040379  
Numero Mecc. VA010424